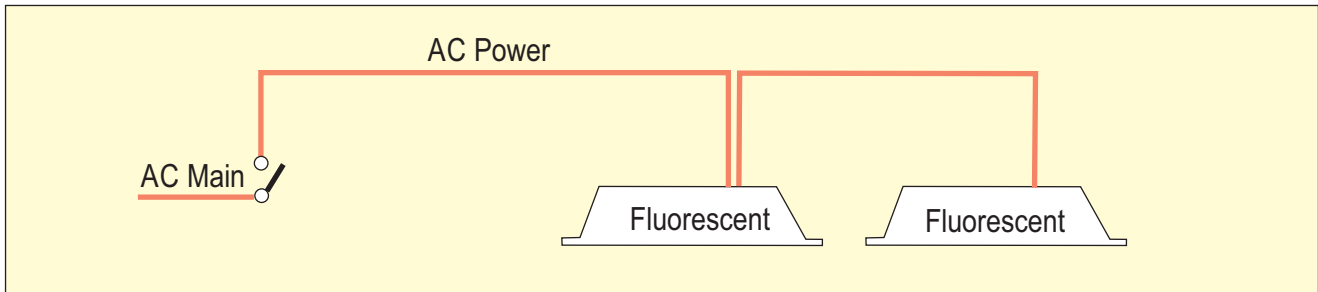
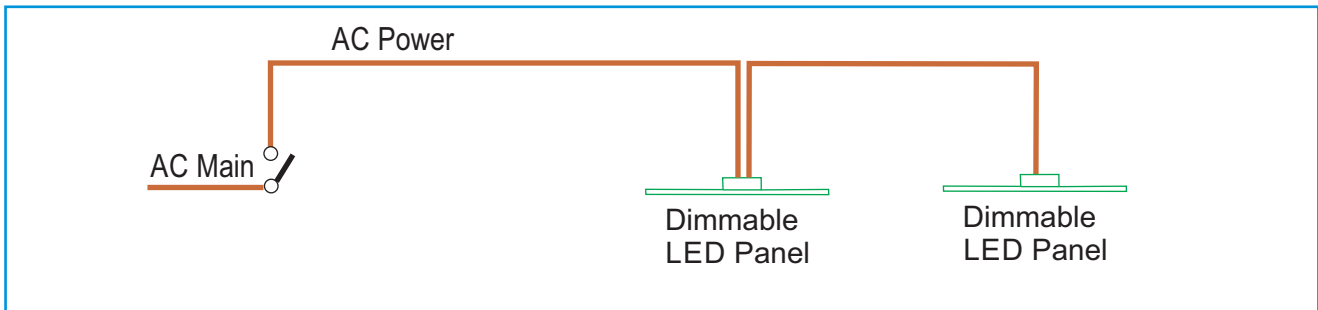


Retrofitting Alec - Enclosed Space

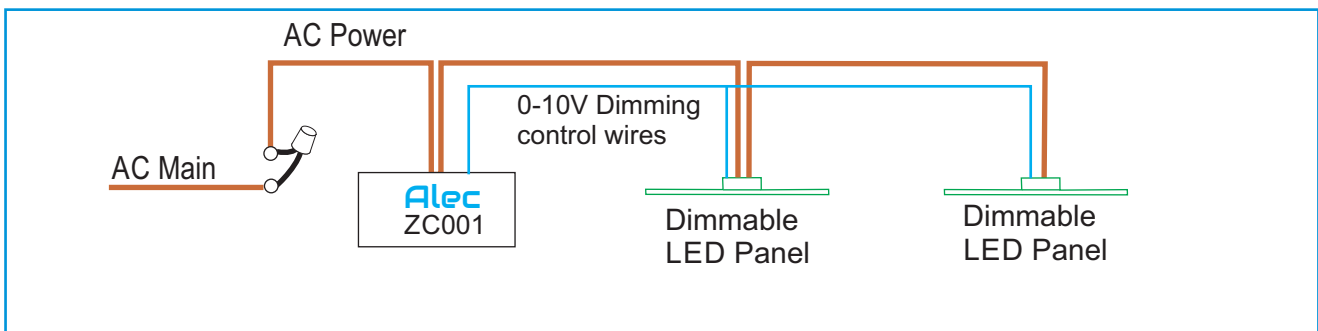
Original Fluorescent Fixtures



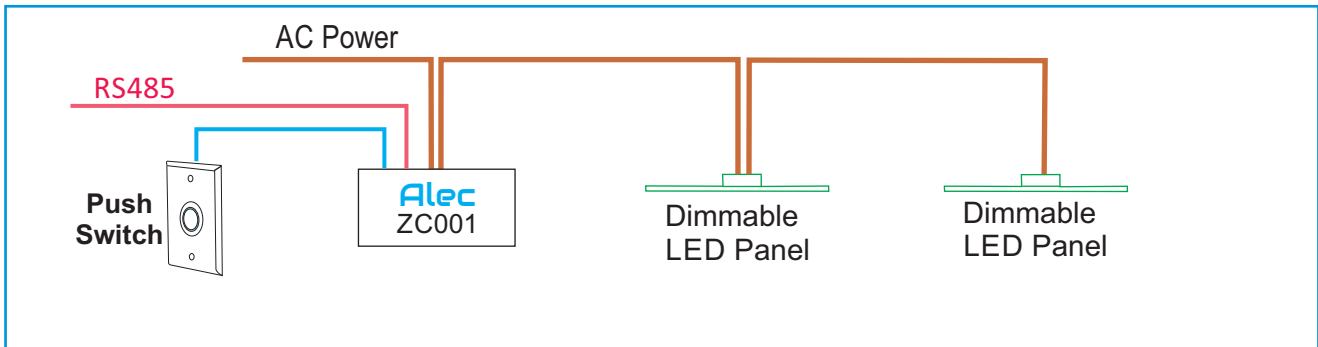
1) Replace fluorescent fixtures with LED panels. Reuse the old L, N and Ground wiring.



2) Cut the AC power supply line and connect to Alec's power Input and output. Connect 0-10V Dimming signal wires from Alec to the new LED panels. Bypass the original manual switch to supply constant power to Alec.

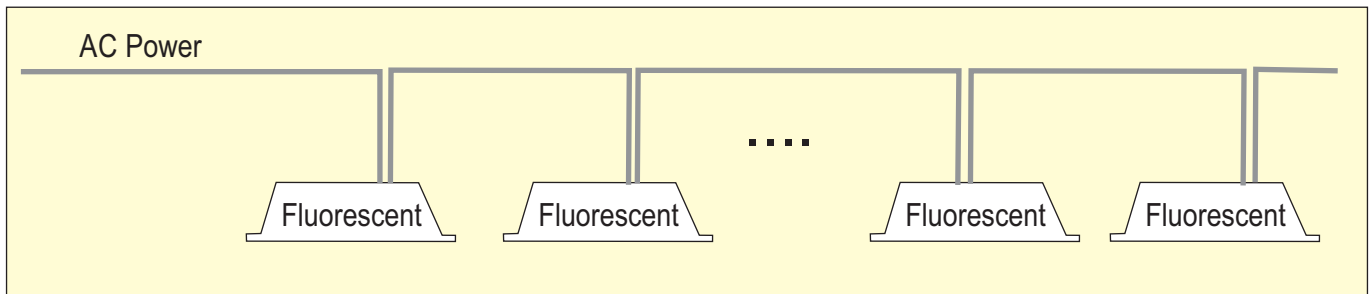


3) Connect low-voltage push button switch and RS485 wire to Alec



Retrofitting **Alec** - Break up a large open office into multiple zones using **Alec ZC001**

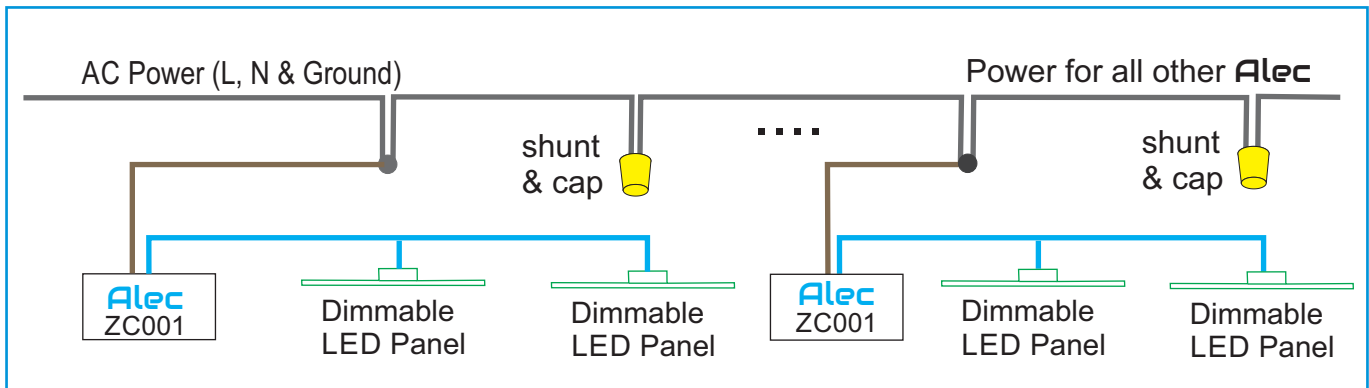
Original Fluorescent Fixtures



1) Remove fluorescent fixtures and AC power connection



2) Install **Alec** and LED panels, wire ZC001 to LED panels using **new power+dimming cables**
Connect existing AC power to **Alec**. Shunt and cap the unused AC L & N.



3) Connect low-voltage RS485 that links all ZC001 to the gateway

